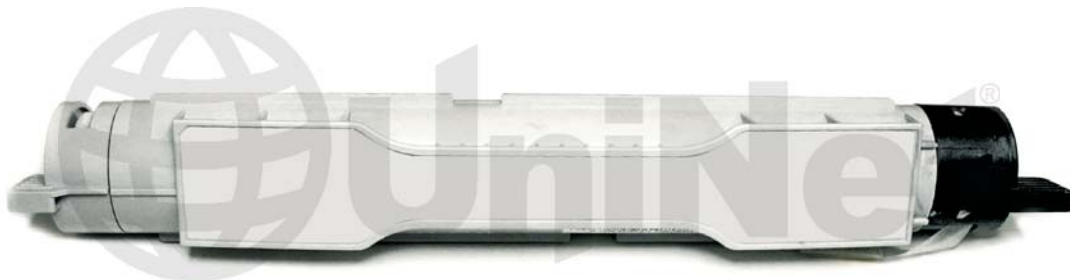


DELL® 5100CN

TONER CARTRIDGE REMANUFACTURING INSTRUCTIONS



DELL 5100CN TONER CARTRIDGE

REMANUFACTURING THE DELL 5100CN TONER CARTRIDGE

By Javier Gonzalez and the Technical Staff at UniNet



DELL 5100CN TONER CARTRIDGE



1. Remove the gearless end cap (shown) to access the toner fill cap. Using a small flat head screwdriver, carefully pry out one side of the end cap to unlock it from the first set of tabs.



2. Rotate the cartridge and disengage the third tab in the same manner.



3. Disengage the fourth tab as shown.



4. Carefully slide out the gearless end cap.
Note the original positioning for reassembly.



5. Carefully insert a small flat head screwdriver between the base of the toner fill plug and its housing as shown.

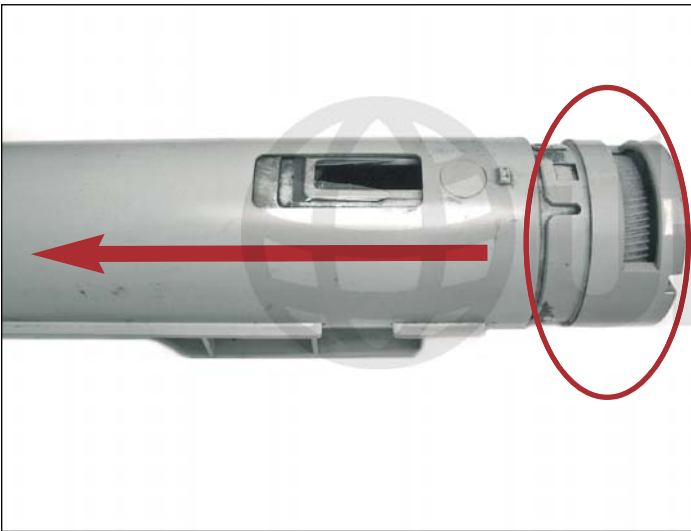


6. Carefully lift the toner fill plug out as shown.
Be careful not to damage the plastic housing.



7. Toner fill plug removed.

Note the original positioning of the plug for reassembly.



8. Locate and grab hold of the gear side end cap (circled).

Remove the outer tube by sliding it out as shown.



9. Cartridge separated.

Note the original positioning of the outer tube.

Clean thoroughly using compressed air.



ALTERNATE CLEARSEAL™ ASSEMBLY

10. First, using a pair of pliers, gently peel off the worn sealant from the toner cartridge as shown.



11. Wipe the seal opening and surroundings clean using isopropyl alcohol and a lint free cloth.

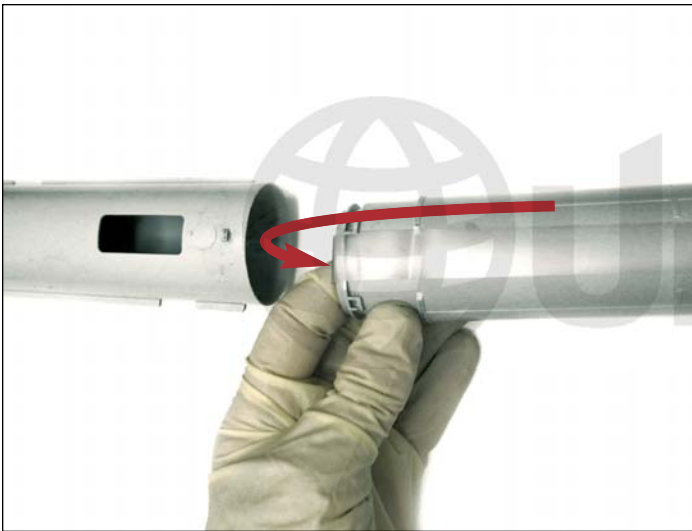


12. Make sure that the new seal is being placed in its proper position (shown) before applying.

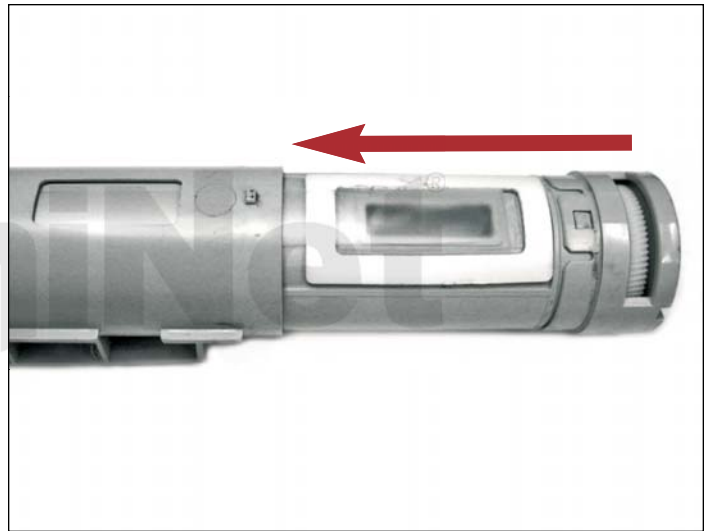
NOTE: Optional UniNet Clearseal™ universal adhesive for use in Dell 5100cn OEM C/M/Y/K toner cartridges (part #10353).



13. Remove the adhesive backing of the seal and carefully place over the opening as shown. Apply pressure using your fingers to ensure a tight seal.



14. Gently wrap the seal flap around the toner fill opening as shown before inserting the cartridge. This will ensure that the seal flap properly exits the opposite end of the tube.



15. Slide the cartridge into the tube until it is completely inserted.



16. Final result.

You are now ready to fill the cartridge.



17. Place the cartridge in a vertical position and refill with the appropriate amount of toner for use in Dell 5100cn. Install the fill plug.

NOTE: Additional carrier may be required for this cartridge. Consult your aftermarket reseller for more details.



18. Wrap the remaining seal around the toner fill plug as shown.



19. Place the gearless end cap, in its original positioning, over the seal and toner fill plug as shown. Make sure that the remaining seal flap is showing through as shown.

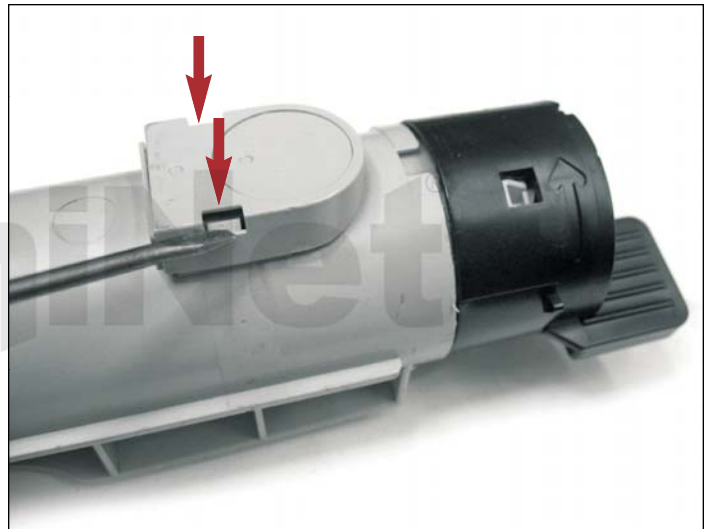


20. Push the end cap inward until it is properly secured by all four locking tabs.



REPLACING THE OEM CHIP

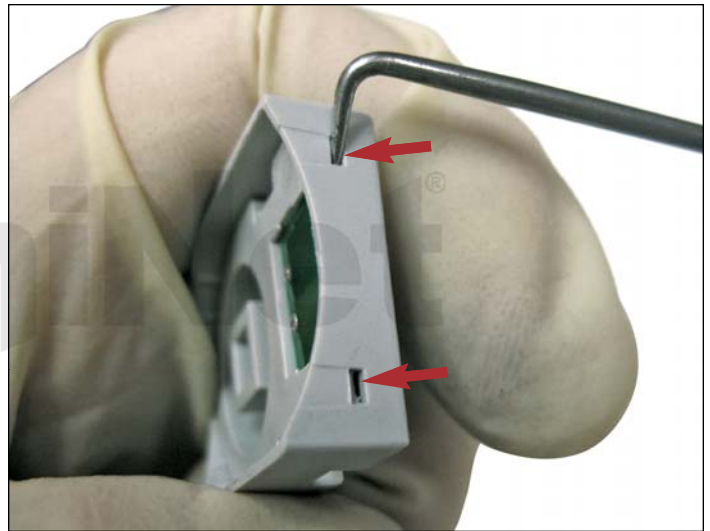
21. Locate the OEM chip housing near the gearless side of the cartridge.



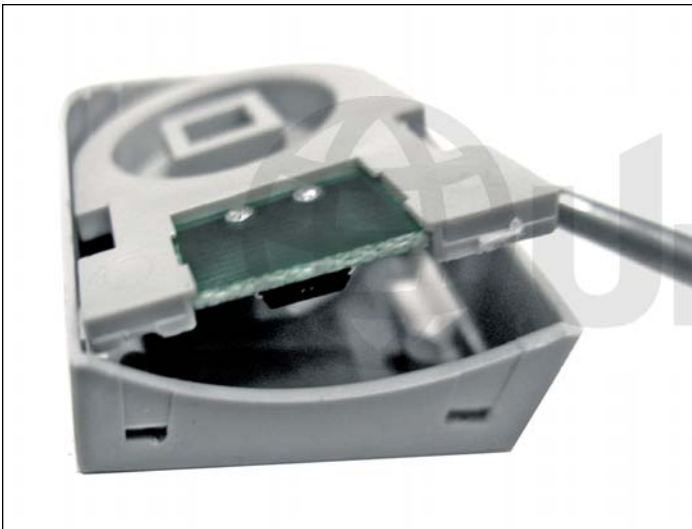
22. Using a small flat head screwdriver, press down on the two side tabs on the chip housing to release it.



23. Be sure to wear latex gloves when handling chips.



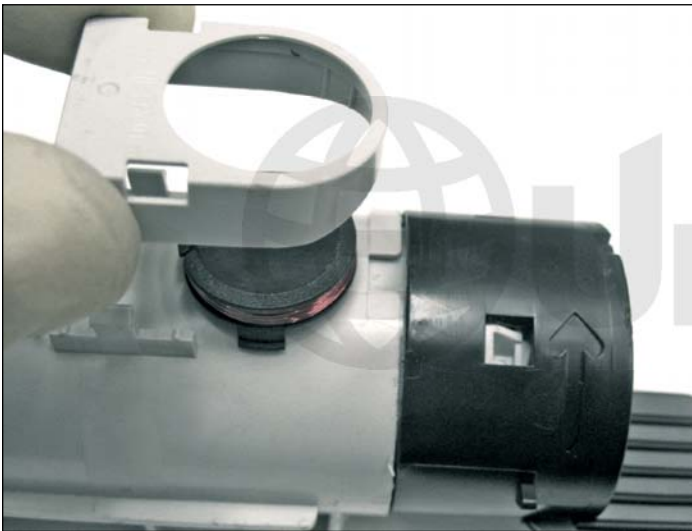
24. Unlock the actual chip from its housing by pressing on the small tabs shown using an angled hook tool.



25. Carefully pry the chip from its housing.



26. Place the new contact chip on the cartridge as shown.



27. Place the housing over the chip as shown.



28. Press down until the side tabs lock it into place.